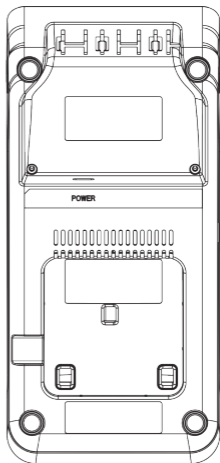
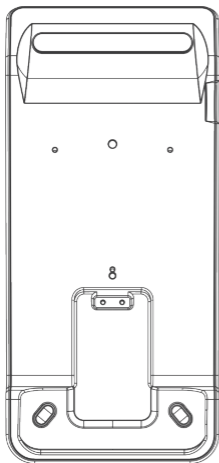


ingenico

AXIUM DX8000-BASE-C

User Guide



www.ingenico.com

13-17 rue Pagès, 92150 Suresnes – France

Banks and Acquirers International Holding, SAS / 814 767 216 RCS Nanterre



UYS01000524



Contents

Table of Contents	2
1. Product Introduction	3
1.1 What's in the Box – subject to ordered product configuration	3
1.2 Device Layout	3
2. Product Specifications	4
2.1 Product Functions	4
2.2 Product Technology Specifications	4
2.3 Environmental Conditions	4
3. Product Installation Instructions	5
3.1 Installing the DX8000 and Base	5
3.2 Fixing of the base	6
4. Standards and Operating Information	7
4.1 Delivery and Storage	7
4.2 Power Adapter	7
4.3 Standards	7
THE PRODUCT	8

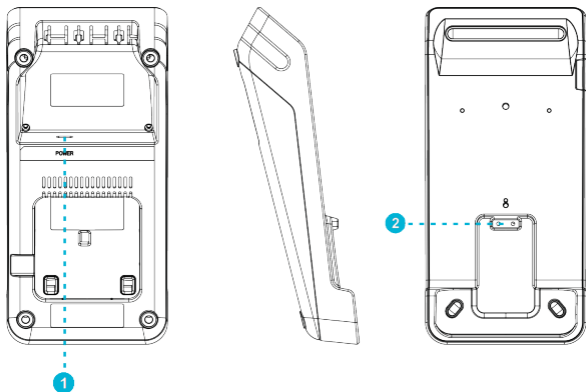
1. Product Introduction

1.1 What's in the Box – subject to ordered product configuration

Procedures:

- 1) Open the package
- 2) Check the following items(Subject to actual product configuration)
 - Base host
 - Product instruction
 - USB Type-C cable
 - 5V 2A Power adapter
- 3) Inspect the terminal and accessories and remove any shipping tape or packaging items.

1.2 Device Layout



1. USB-TYPE C Power Interface

2. DX8000 Charging Contact

2. Product Specifications

2.1 Product Functions

- The base is designed to charge DX8000 terminals.
- With an optional mount, the base can be used to fix the DX8000 to a counter or other structure.

2.2 Product Technology Specifications

Port	<ul style="list-style-type: none">• a USB type-C power port
Power adapter	<ul style="list-style-type: none">• input 100-240V AC, 50/60Hz• output 5.0V 2.0A DC
Size and Weight	<ul style="list-style-type: none">• Size: 193.8mm x 89mm x 38.6mm / 7.63 in x 3.5 in x 1.5 in• Net Weight: 0.18kg• Gross Weight: 0.33kg

2.3 Environmental Conditions

Environmental conditions for running, storing and delivering the product:

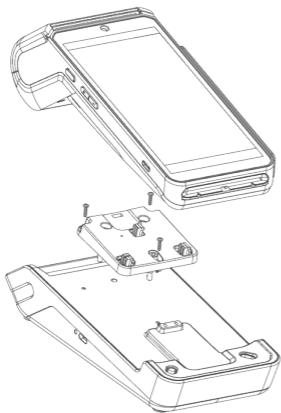
Temperature	Running	<ul style="list-style-type: none">• 0°C ~ 40°C / 32°F ~ 104°F
	Storage and Delivery	<ul style="list-style-type: none">• -20°C ~ 70°C / -4°F ~ 158°F
Humidity	Running	<ul style="list-style-type: none">• 10% ~ 90%
	Storage and Delivery	<ul style="list-style-type: none">• 5% ~ 90% (40°C) / (104°F)
Atmospheric pressure		<ul style="list-style-type: none">• 86kPa ~ 106 kPa• Below 2000 meters above sea level

3. Product Installation Instructions

3.1 Installing the DX8000 and Base

Installation procedures as below:

- Remove all packaging and tape used for shipping purposes.
- Please base onto location where it will be used.
- Connect power adapter to back of base and plug it into an appropriate power plug
- Set the DX8000 terminal on top of the base.
- Watch for charging indicator to ensure that the base it properly connected and working.

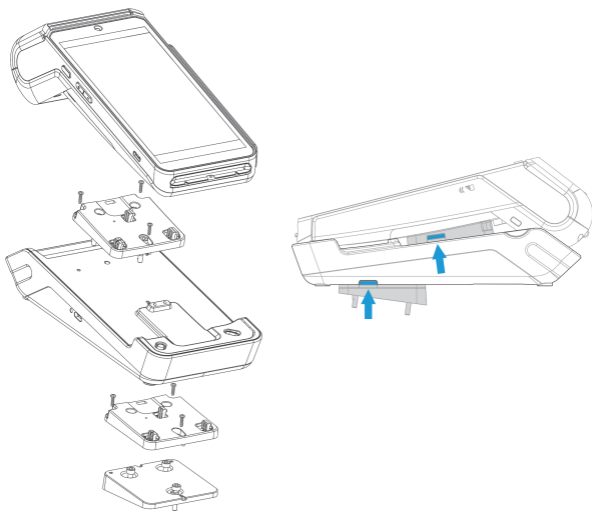


3.2 Fixing of the base

In some scenes, we want to fix the base and the DX8000 to the table. An optional mounting kit is available for this purpose.

Installation procedures as below:

- Mount the space block on the table with screws.
- Fasten the Base structure on the space block with three screws.
- Put the base on the structure to lock it.
- Fasten the Base Fixing structure on the base with three screws.
- Replace the battery cover of DX8000 and put DX8000 on the base to lock it.



If removal of the base and DX8000 is required, use screwdriver to push the area of the structure to unfix them.

4. Standards and Operating Information

Prevent the terminal from sun exposure, high temperature, moisture and other mean conditions.

Cut off the power before cleaning the device and wipe the main body with dry cloth.

When the following abnormal phenomena occur, stop running the device immediately, cut off the power supply, and report to the service provider as soon as possible:

- harsh noise heard during operation.
- impurities or water found in the machine.
- Unpleasant smell found during operation.

4.1 Delivery and Storage

Deliver the device in normal way, avoiding rain and snow, sun exposure and mechanical impact.

The product should be stored in the original box. The box should be at least 15cm away from the floor, at least 50cm from the wall, heat source, cold source, window or air inlet.

4.2 Power Adapter

The base can only be connected to the adapter which is provided with DX8000. Other power adapters may damage the base on DX unit.

WARNING

The power adapter provided is specially designed for Ingenico DX8000-BASE-C. Do not use any other power supply. The use of a power supply with apparently similar voltage/current characteristics may damage your terminal.

RF exposure

The antenna of the product, under normal use conditions, should be kept at least 20cm away from the body of the user. Warning statement to the user for keeping 20cm separation distance and the prohibition of operating to a person has been printed on the user manual. So, this product under normal use is located on electromagnetic far field between the human body.

4.3 Standards

CE Marking

The CE marking indicates DX8000-BASE-C complies with the requirements of European Directive 2014/53/EU on Radio equipment for the protection of the health and the safety of the user and any other person.

- The protection requirements with respect to electromagnetic compatibility. And complies with harmonized standards.

Environment (WEEE, Batteries and packaging)

This product is labeled in accordance with European Directives 2012/19/EU concerning Waste Electrical and Electronic Equipment (WEEE) and 2013/56/EC concerning Batteries and Accumulators. Those provisions are requiring producers and manufacturers to become liable for take-back, treatment and recycling upon end of life of equipment and batteries.

THE PRODUCT




The crossed-out waste bin stuck on the product or its accessories means that the product belongs to the family of electrical and electronic equipment, and waste batteries must not be thrown away but collected separately and recycled.

Please contact your retailers for more detailed information about the compliance solution in place for disposing of your old product and used batteries.

Packaging waste must also be collected separately to assure a proper disposal and recycling.

In this way you can participate in the re-use and upgrading of Electrical and Electronic Equipment Waste, which can have an effect on the environment and human health.

 It stands for DC Voltage.

This Document is Copyright © 2022 by Ingenico Group. Ingenico retains full copyright ownership, rights and protection in all material contained in this document. The recipient can receive this document on the condition that he will keep the document confidential and will not use its contents in any form or by any means, except as agreed beforehand, without the prior written permission of Ingenico. Moreover, nobody is authorized to place this document at the disposal of any third party without the prior written permission of Ingenico. If such permission is granted, it will be subject to the condition that the recipient ensures that any other recipient of this document, or information contained therein, is held responsible to Ingenico for the confidentiality of that information.

Care has been taken to ensure that the content of this document is as accurate as possible. Ingenico however declines any responsibility for inaccurate, incomplete or outdated information. The contents of this document may change from time to time without prior notice, and do not create, specify, modify or replace any new or prior contractual obligations agreed upon in writing between Ingenico and the user.

Ingenico is not responsible for any use of this device, which would be non-consistent with the present document.

All trademarks used in this document remain the property of their rightful owners.

www.ingenico.com

13-17 rue Pagès, 92150 Suresnes – France

Banks and Acquirers International Holding, SAS / 814 767 216 RCS Nanterre